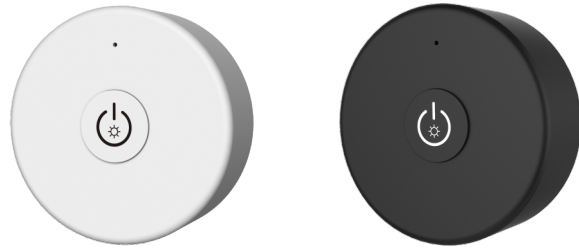


# R1-1

## One-key RF Remote Controller

RF DIM

- Apply to single color LED controller.
- Each remote can match one or more receiver.
- CR2032 battery powered.
- Operate with LED indicator light.
- Magnet on the back which can be easily stuck on any metal surfaces.

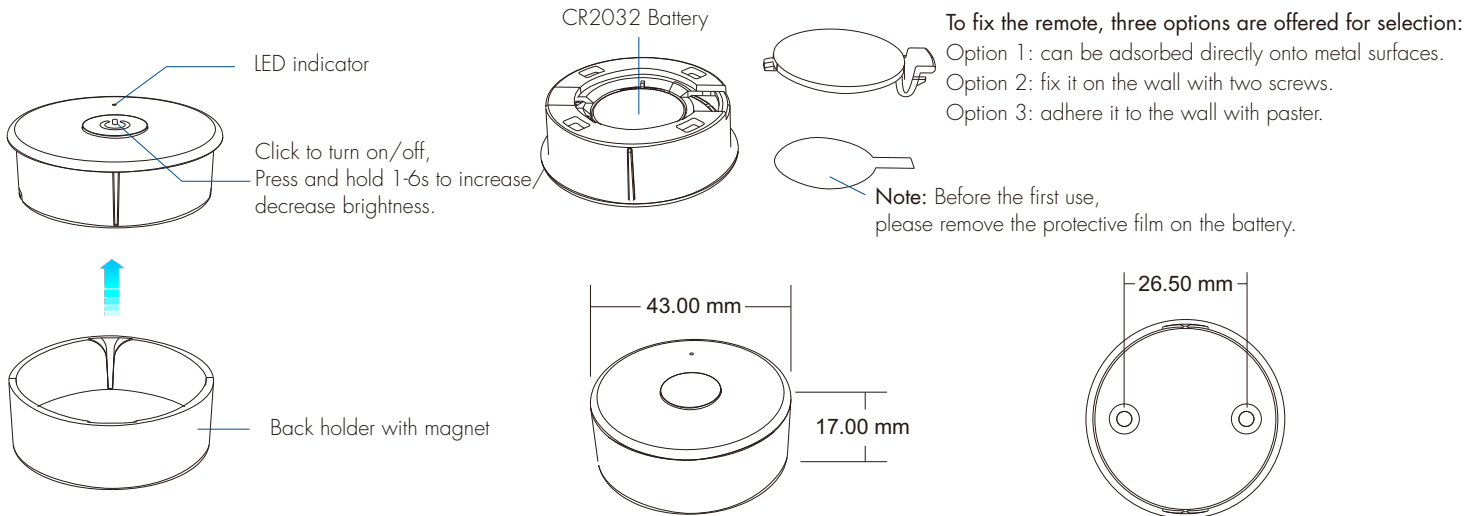


CE RoHS RED

### Technical Parameters

Input and Output		Environment		Safety and EMC	
Output signal	RF 2.4GHz	Operation temperature	Ta: -20°C ~ +55 °C	EMC standard	EN 62479:2010 ETSI EN 301 489-1 V2.2.3 ETSI EN 301 489-17 V3.2.4
Working voltage	3VDC(CR2032)	IP rating	IP20	Safety standard	EN 61347-1:2015+A1:2021 EN 61347-2-13:2014+A1:2017
Working current	<5mA	<b>Package</b>		Radio Equipment	ETSI EN 300 328 V2.2.2
Standby current	<2µA	Size	W56 x L56 x H30mm	Certification	CE RED
Standby time	2 years	Gross weight	0.034kg	<b>Warranty</b>	
Remote distance	30m(Barrier-free space)			Warranty	5 years

### Mechanical Structures and Installations



### Match Remote Control (two match ways)

End user can choose the suitable match/delete ways. Two options are offered for selection:

#### Use the controller's Match key

**Match:**  
Short press match key, immediately press on/off key on the remote.  
The LED indicator fast flash a few times means match is successful.

**Delete:**  
Press and hold match key for 5s to delete all match,  
The LED indicator fast flash a few times means all matched remotes were deleted.

#### Use Power Restart

**Match:**  
Switch off the power, then switch on power, repeat again.  
Immediately short press on/off key 3 times on the remote.  
The light blinks 3 times means match is successful.

**Delete:**  
Switch off the power, then switch on power, repeat again.  
Immediately short press on/off key 5 times on the remote.  
The light blinks 5 times means all matched remotes were deleted.

### Safety Information

1. Read all instructions carefully before you begin this installation.
2. When installing battery, pay attention to the battery positive and negative polarity.  
A long time without the remote control, remove the battery.  
When remote distance becomes smaller and insensitive, replace the battery.
3. If no response from the receiver, please re-match the remote.
4. Gently handle remote, beware of falling.
5. For indoor and dry location use only.